

SHOWER RAIL

SMR

L Shape Rail Installation.

Tools required to complete the installation.

- Electric Drill with 8mm masonry drill bit
- Suitable Hex Screwdriver
- Masking tape to ensure tiles are not damaged when drilling
- Stainless Steel Pipe cutter or suitable hacksaw
- Spirit level to get rail level
- Tape measure



Suitable for wall to wall installations 2m x 1m max

Installation instructions

- Measure up from the **inside base of the bath approximately 190 cm** and make a horizontal line where you would like bracket **"a"** to be positioned

(This is so the rail and new curtain fit perfectly as shower curtains are normally 180cm drop from shower rail)

- Decide on the desired length and width of your shower rail and using a pipe cutter or hacksaw cut the stainless steel rail to size.

(Tip - Rails should be slightly shorter than the length and width of your bath)

- Clean the inside of the tubes and also the elbow piece with a **clean cloth**. **Note - Take Care there may be sharp metal exposed at the ends.**

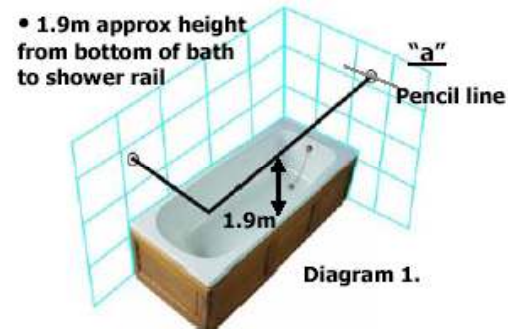
Take the metal glue provided and add a moderate amount to the inside of each tube. Push the tube ends over the elbow and leave to set for 10 minutes.



- Hold the L shaped rail up against the two walls as per Diagram 1 and mark the position of the point where the long tube touches the wall on your newly marked horizontal line with a pencil **"a"**.

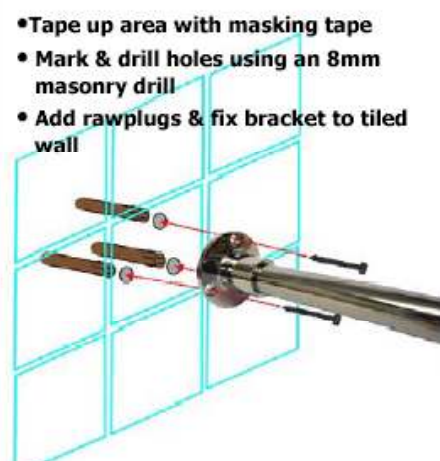
Note. You will need an 8mm masonry drill bit to go through your tiles

- Fix masking tape to the area where you will fix the first bracket and carefully mark and drill the three holes, then add the rawplugs and fix bracket to wall.
- Insert assembled rail into the wall bracket **"a"** then check that the rail is level using a spirit level and mark position of the second bracket **"b"**.
- Carefully mask the tile off, drill the holes and add the rawplugs.
- Slide remaining bracket onto the shorter rail and then push the opposite end of the rail into bracket **"a"**. Slide second bracket to wall and fix **"b"**. And tighten up the retaining grub screws on the brackets. Your rail is now completed.



• 1.9m approx height from bottom of bath to shower rail

"a"
Pencil line



- Tape up area with masking tape
- Mark & drill holes using an 8mm masonry drill
- Add rawplugs & fix bracket to tiled wall

- Ensure rod is level and straight
- Mark new bracket and repeat above procedure then fix rail in place

